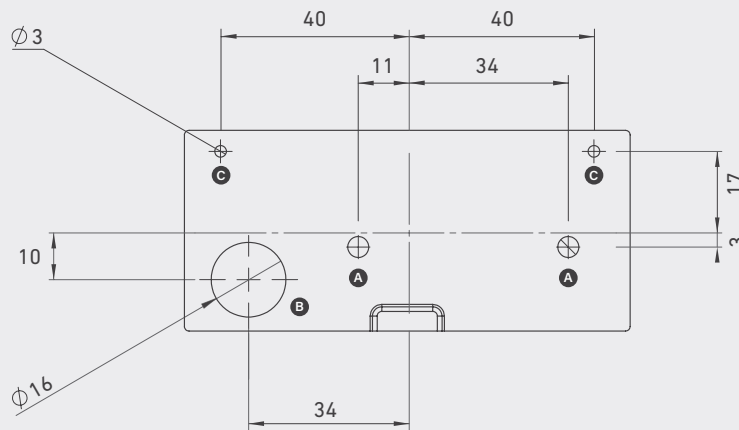
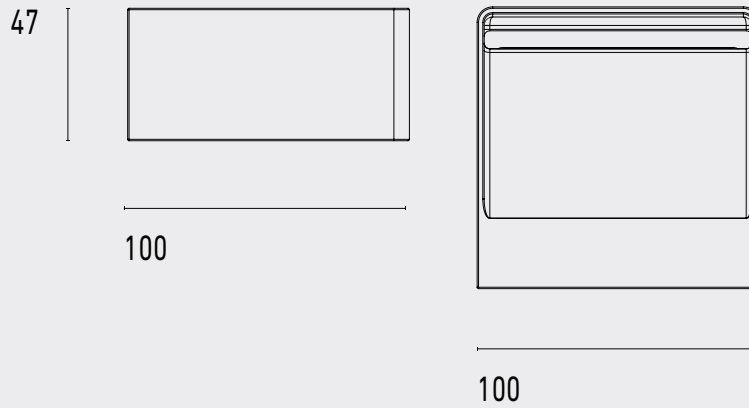


102 10 500--,-
 Fade 100 Indirect Uplighter Type 1

Separate LED Power Supply 24V-DC

10W 24V-DC
 Class III
 IP65



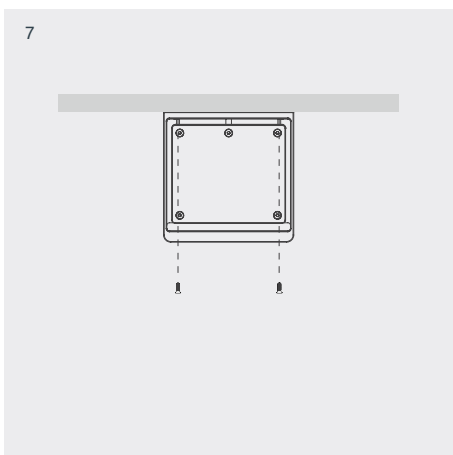
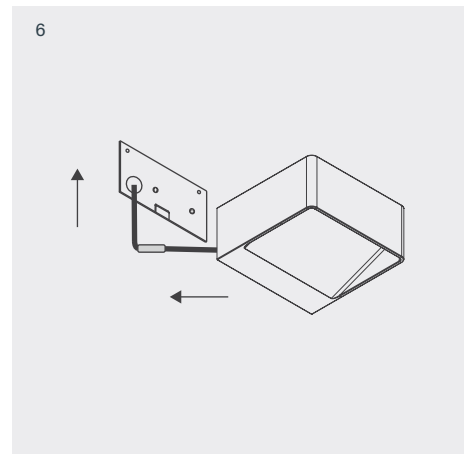
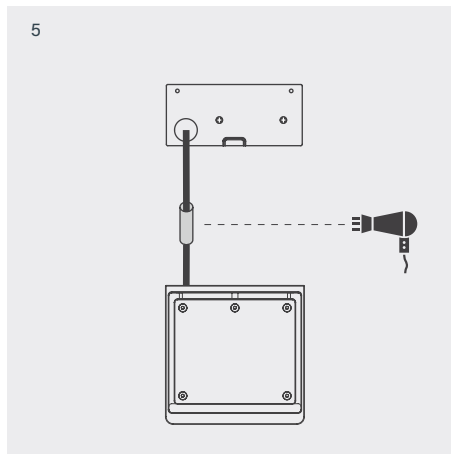
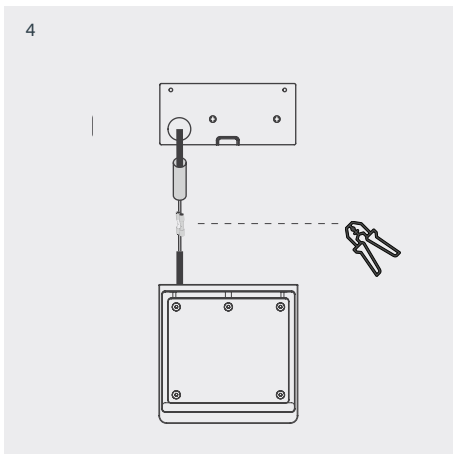
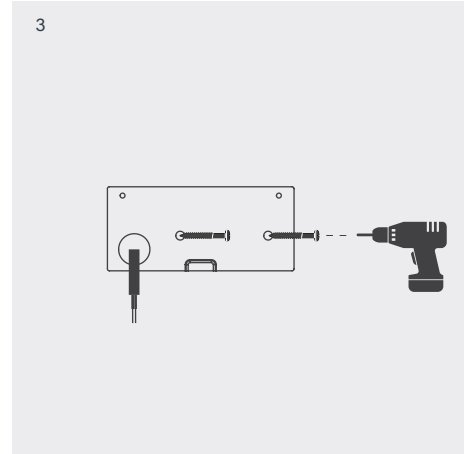
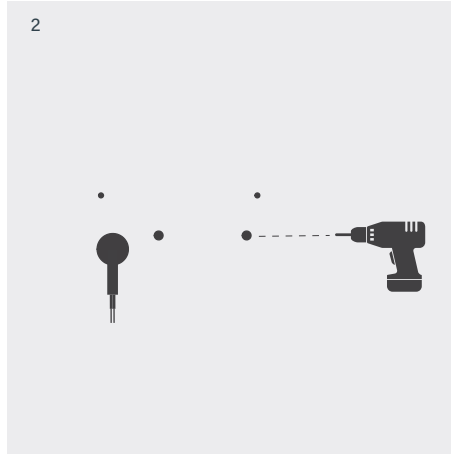
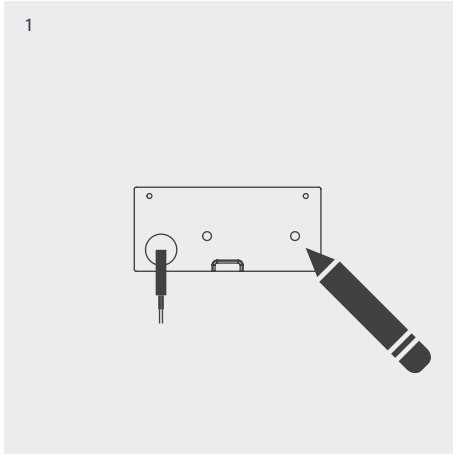
Hole Positions

- A Mounting bracket fixation with 6mm anchor hole
- B Cable Entry
- C Clearance holes for luminaire fixation 3mm. **DO NOT** drill through mounting plate for risk of damaging thread.

102 10 500--,-
 Fade 100 Indirect Uplighter Type 1

Separate LED Power Supply 24V-DC

10W 24V-DC
 Class III
 IP65



Installation

- 1 Mark up mounting positions using plate
- 2 Drill pilot holes
- 3 Screw mounting bracket to wall
- 4 Crimp connection
- 5 Seal connection with heat shrink
- 6 Locate tab on fixture and slide upward into detail on mounting plate.
- 7 Screw fixture to mounting plate